



LAIZHOU PINNO IMPORT AND EXPORT TRADE CO., LTD
莱州品诺进出口贸易有限公司



品诺 PINNO

Tel/WhatsApp/WeChat +86 18615352828

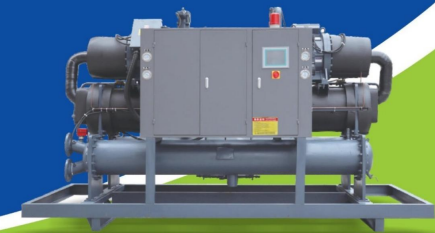
Website: www.newdnkpla.com

E-mail: jason@pinno.com.cn

Add: Yantai Industrial Park, Shandong Province



LAIZHOU PINNO IMPORT AND EXPORT TRADE CO., LTD



创世界智能制冷设备精品

Create internaional exquisite intelligent refrigeration
equipment products

创世界智能制冷设备精品

Create internaional exquisite intelligent refrigeration equipment products

Welcome to the world of Pinnuo Refrigeration Company, an organisation dedicated to providing high-quality services and products. Self-established since then, we have been adhering to the principles of innovation, excellence and integrity, and constantly improving our service quality and product performance.

Our company was co-founded in 2004 by a group of professionals who are keen to provide efficient solutions. In the early days, We focus on providing refrigeration equipment services. With the change of the market and the growth of customer demand, we continue to expand the chiller, Screw style chillers, magnetic levitation chiller, frequency conversion chiller, cooling and heating chillers, oil cooling chiller, Mobile Freezer, Cooling Tower and other businesses. The scope now covers the plastic industry, electroplating industry, leather industry, printing industry, chemical industry, mushroom production environment engineering, Agricultural cultivation, pharmaceutical industry, footwear industry, electronics industry and other fields.

Our team is composed of experienced people with outstanding professional skills, who come from different backgrounds and majors. Fields, which are brought together through common goals and enthusiasm. We are well aware that talent is the most valuable resource of the company, because We continue to invest in the training and development of employees to encourage them to break through themselves and achieve higher goals.

Our core values are customer first, teamwork and innovative development. We always believe that only in-depth Only by understanding the needs and expectations of customers can we provide them with truly valuable products and services. At the same time, we are not Always attach importance to teamwork, and believe that collective wisdom and strength can overcome all challenges. Innovation is about maintaining our competitiveness. The key is that we constantly explore new ideas and methods to adapt to the changing market environment.

Thank you for your attention and support to our company. We look forward to working with you to create a better future.



关于我们 About us

欢迎来到品诺制冷公司的世界，一个致力于提供优质服务和产品的组织。自成立以来，我们一直秉持着创新、卓越和诚信的原则，不断提升我们的服务质量和产品性能。

我们的公司由一群热衷于提供高效解决方案的专业人士于2004年共同创立。初期，我们专注于提供制冷设备服务，随着市场的变化和客户需求的增长，我们不断扩展冷水机、螺杆机、磁悬浮冷水机、变频冷水机、冷暖气、油冷机、冷库、冷却塔等业务范围，如今已涵盖了塑料业、电镀业、皮革业、印刷业、化工业、菌菇生产环境工程、农业培植、制药业、制鞋业、电子行业等多个领域。

我们的团队由经验丰富、专业技能突出的人员组成，他们来自不同的背景和专业领域，通过共同的目标和热情汇聚在一起。我们深知，人才是公司最宝贵的资源，因此我们不断投资于员工的培训和发展，鼓励他们突破自我，实现更高的目标。

我们的核心价值观是客户至上、团队合作和创新发展。我们始终认为，只有深入了解客户的需求和期望，才能为他们提供真正有价值的产品和服务。同时，我们也非常重视团队合作，相信集体的智慧和力量能够战胜一切挑战。创新是我们保持竞争力的关键，我们不断探索新的思路和方法，以适应不断变化的市场环境。

我们的目标是成为业界领先的解决方案提供商，通过我们的产品和服务为客户创造更大的价值。为了实现这一目标，我们将继续秉持核心价值观，不断优化我们的业务模式和产品线，与合作伙伴和客户共同成长。

感谢您对我们公司的关注和支持，我们期待与您携手共创美好的未来。

推进行业进步 成就智能制冷行业第一品牌

Establish ourselves as the premier brand
in the intelligent refrigeration sector.

产品目录 Products contents

- | | | | | | |
|---|---|--|--|---|-------------------------|
| 05 螺杆式冷水机 (双机)
Screw style chillers(double head) | 17 工业冷水机 (水冷)
Industrial Chillers (warte cooled) | 24 电泳专用冷水机
Electrophoresis
Dedicated Chiller | 27 皮革机械专用冷水机
Leather Chillers | 29 发酵设备专用冷水机
Fermentation equipment chiller | 33 冷却塔
Cooling Tower |
| 09 螺杆式风冷冷水机
Screw style air cooled chillers | 19 工业冷水机 (风冷)
Industrial Chillers (air cooled) | 25 淋膜机专用冷水机
Extrusion coating Chillers | 27 化工设备专用冷水机
Chemical | 30 大型超临界萃取装置专用冷水机
Large Supercritical Extraction
Device Refrigeration Equipment | 34 配件
Accessories |
| 11 满液式螺杆机组冷水机
High efficient flooded type screw
style chiller | 21 工业油冷却专用冷水机
Industrial oil cooling chiller | 25 挤出机专用冷水机
Extruder Chillers | 28 注塑专用冷水机
Injection Chillers | 30 全自动真空低温连续干燥专用冷水机
Automatic Vacuum Drying
Temperature of Cold Mechanism | |
| 13 磁悬浮变频离心式冷水机
Magnetic bearing chiller | 23 电镀槽冷却专用冷水机
Plating bath cooling Chillers | 26 吹瓶机专用冷水机
Blower Chillers | 28 吸塑专用冷水机
Plastic Forming Chillers | 31 菌菇环境温度控制系统
The fungus mushroom environment
temperature control system | |
| 15 工业车间空调降温系统
Industrial air conditioning
Cooling system | 24 铝型材氧化专用冷水机 (双机)
Aluminum Oxide Chiller | 26 吹膜机专用冷水机
Blown Film Machine | 29 化纤专用冷水机
Chemical fiber chiller | 32 冷库
Mobile Freezer | |

创世界智能制冷设备精品

Create internaional exquisite intelligent refrigeration equipment products

螺杆式冷水机(双机)

SCREW STYLE CHILLERS(DOUBLE HEAD)



本机特点 Features

PNS-xxS系列中央冷水系统主机均采用德国进口半密闭式双螺杆压缩机，具有卓越的技术特性，分为单压缩机和双压缩机两种机型。且适用于R22、R407、R134a等多种冷媒。

高效率卧式壳管式冷凝器与蒸发器均有“BR1”级国家压力容器制造许可，换热稳定，维修保养方便。
先进的微电脑控制器，功能强大，采用高速嵌入式微处理器，性能远高于同类产品使用的单芯片机。

PNS-xxS series central cold water system host used German BITZER semi-hermetic screw compressors have outstanding technical characteristics into single compressor and two-compressor models. Is applicable to R22, R407, R134a and other refrigerant.

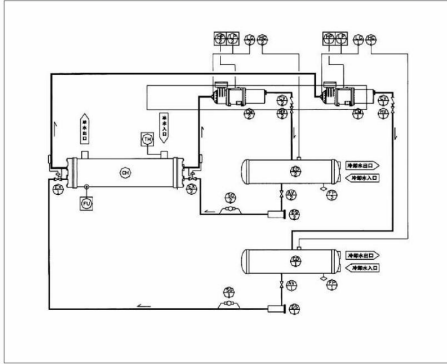
High efficiency horizontal shell and tube condenser and evaporator have "BR1" state permission to create pressure vessel, heat stability and maintenance convenience.

Advanced micro-computer controller, a powerful, high-speed embedded microprocessor performance is much higher than similar products used in the single-chip machine.

1. 德国制造半密闭式双螺杆压缩机，轴承寿命长，可确保长时间运转；
2. 压缩机双重的能量调节方式，可依客户需求做调整以达节能的效果；
3. 冷凝器与蒸发器均符合国家需求，高效热交换性能，且维修保养方便；
4. 控制器扩通性能良好，可方便硬件及程序的扩展与升级；
5. 技术使微电脑控制器的硬件组件具自我诊断能力，能自动排除故障；
6. 配备稳定性高的记忆体，512K的程序存储容量及128K的断电数据保存容量，可大量存储资料且不会流失；
7. 独特的屏幕保护系统使触摸屏寿命可达十年以上；
8. 故障查询能与故障统计功能可以按故障序号，故障次数和发生时间来分析故障发生原因，以便加以改善；
9. 可随时查看各点实际温度并做修改设定，此外上可显示一小时及一天的温度曲线；
10. 具远程控制开关机功能，可实现一次定时开关机及每周定时开关机的应用。每天最多可设定开关机达3次；
11. 支持多语言在线切换。

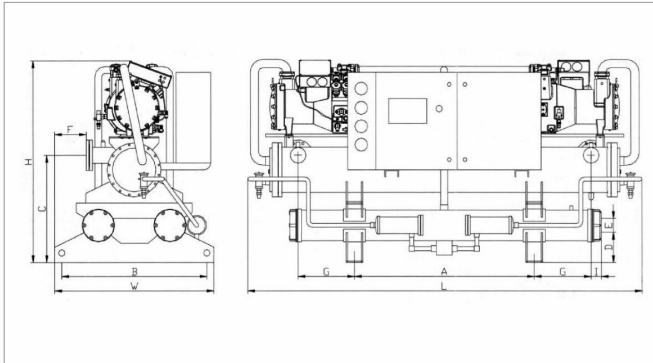
1. Germany semi-hermetic screw compressors, bearings longevity will ensure long-term operation;
2. Double-conditioning compressor energy, follow customer demand made adjustments to achieve energy saving effect.
3. Condenser and evaporator meet national needs the highly efficient heat exchanger performance, and maintenance convenience.
4. Controller dilate in good condition and can facilitate the expansion and upgrading of hardware and procedures.
5. Watchdog technology to the micro-computer controller hardware components with self-diagnostic capabilities, automated troubleshooting;
6. Equipped with the high stability of memory, storage capacity of 512K procedures Interfacing to the power outages and maintain data capacity, and also a substantial loss of data storage;
7. Screen Protection System, which allows for a unique auditorium screen life span of 10 years or more.
8. Inquiries can be functional fault by fault and fault statistics serial number, the number of failures occurred and to analyze the causes for failure to be improved;
9. Actual temperature and can be done at any time to check points set changes, in addition to an hour and a one-day show on the temperature curve;
10. Machine with remote control switches can be realized by a timer switch planes and weekly machine timer switch applications. Switching planes can be set up 3 per day.
11. Switching to support multiple languages online.

双机系列工作原理图 SERIAL FUNCTIONAL DIAGRAM OF DOUBLE HEADS



符号	品名	数量	备注
CM1-2	压缩机 Compressor	2	
1-2CD	冷凝器 Condenser	2	
CH	蒸发器 Evaporator	1	
EX1-2	膨胀阀 expanding valve	2	
FP1-2	可熔栓 single valve	2	
AV1-2	出液角阀 Meil bolt	2	
DS1-2	干燥过滤器 Filter	2	
SG1-2	窗口 window	2	
CV1-2	逆止阀 check valve	2	
HV1-2	高压止阀 high voltage valve	2	
HG1-2	高压表 high pressure gauge	2	
LG1-2	低压表 low pressure gauge	2	
HP1-2	高压开关 high tension switch	2	
LP1-2	低压开关 low tension switch	2	
TH	温度开关 temperature switch	1	
FU	防冻开关 prevent frozible switch	1	

双机系列尺寸原理图 SERIAL SIZE DIAGRAM OF DOUBLE HEADS



螺杆式冷水机 SCREW STYLE CHILLERS

项目 Item	型号 Model	PNS-40S	PNS-50S	PNS-60S	PNS-70S	PNS-80S	PNS-100S	PNS-120S	PNS-140S	PNS-160S	PNS-180S	PNS-200S	PNS-240S	PNS-300S	PNS-360S	PNS-400S	
电源 Power Supply		3Φ-380V-50Hz															
制冷量 Cooling capacity	kcal/h	113100	141375	169650	197925	226200	283800	331100	383600	440300	547800	623500	721500	940000	1083600	1243600	
消耗电力 Power consumption	kW	132	164	197	230	263	330	385	446	512	637	725	839	1093	1260	1446	
运转电流 Current operation	A	54	68	81	95	108	132	149	175	190	232	273	305	373	452	504	
启动电流 Meil bolt	A	190(200)	180(260)	160(300)	190(350)	210(410)	260(500)	290(450)	350(580)	420(660)	500(810)	570(940)	660(1020)	850(1440)	980(1630)	1120(2280)	
容量控制 Capacity Control	%	100-75-50-25-0															
压缩机 Compressor	型式 Model	半密闭双螺杆式 Semi-hermetic Screw Type															
数量 Quantity		1 / 2															
启动方式 Start mode		分绕组 shunt winding															
油加热器 Oil heater	种类 Species	Y-Δ															
种类 Species		HBR-A01															
填充量 Packed weight		9 × 1 / 15 × 1 / 22 × 1 / 28 × 1															
种类 Species		R-22															
填充量 Packed weight		13 × 2 / 14 × 2 / 15 × 2 / 18 × 2 / 21 × 2 / 26 × 2 / 30 × 2 / 35 × 2 / 39 × 2 / 46 × 2 / 54 × 2 / 61 × 2 / 78 × 2 / 92 × 2 / 104 × 2															
节流方式 Throttle mode		热力膨胀阀 Thermostatic Expansion Valve															
型式 Model		内螺纹壳管式 Internal-screw Shell and Tube															
冷冻水量 Flow of chilled water	m³/h	23	26	34	40	57	57	66	77	88	110	125	144	188	217	249	
压力损失 Pressure loss	kPa	55	55	65	65	70	70	59	62	62	62	65	65	67	67	69	
水管接口 Water pipe interface	PT	3"	3"	3"	3"	4"	4"	4"	5"	5"	5"	5"	6"	6"	8"	8"	
型式 Model		外螺纹壳管式 External Thread Shell And Tube															
冷冻水量 Flow of cooling water	m³/h	29	36	43	50	59	74	86	100	115	142	162	188	244	282	323	
压力损失 Pressure loss	kPa	/	/	/	/	51	54	59	62	62	62	62	65	65	67	67	
水管接口 Water pipe interface	PT	3"	3"	3"	3"	4"	4"	4"	5"	5"	5"	6"	6"	6"	8"	8"	
保护装置 Protector		压缩机过热保护过流保护,高低压保护,防冻保护,流量开关,相序/缺相保护,排气过热保护 Safety Protection Compressor overheat protection, overfllwing protection, high and low pressure protection, anti-frost protection, phase sequence/open phase protection and exhaust over heat protection															
外形尺寸 External dimension	L mm	2500	2600	2600	2600	2850	2850	3040	3130	3140	3760	3760	3760	4100	4100	4250	
	W mm	1150	1150	1150	1150	1150	1150	1250	1250	1250	1400	1400	1400	1600	1750	175	
	H mm	1300	1300	1300	1300	1450	1450	1760	1790	1810	2030	2040	2080	2260	2290	2360	
	A mm	/	/	/	/	1300	1300	1300	1600	1600	1600	1600	1600	1600	1600	1600	
	B mm	/	/	/	/	1040	1040	1140	1140	1290	1290	1290	1480	1630	1630		
	C mm	/	/	/	/	770	770	955	970	975	1085	1130	1135	1240	1270	1305	
	D mm	/	/	/	/	215	215	275	270	270	265	265	265	290	290	290	
	E mm	/	/	/	/	100	100	120	1200	120	175	175	175	240	240	250	
	F mm	/	/	/	/	230	230	275	300	275	375	375	375	450	450	430	
	G mm	/	/	/	/	410	410	400	245	400	545	545	545	500	500	775	
I mm	/	/	/	/	70	70	245	250	245	265	265	265	100	100	90		
机组重量 Set Weight	kg	1300	1300	1300	1300	1790	1790	2340	2420	2500	3580	3750	3890	5050	5340	5600	
运转重量 Running Weight	kg	1900	1900	1900	1900	1920	1970	2520	2620	2710	3920	4110	4250	5490	5830	6260	
运转噪音 Running noise	dB(A)	/ 70 76 80 84															
		2700*1000*1700					3200*1100*1900					3600*1150*1950					4000*1200*2250

创世界智能制冷设备精品

Create internaional exquisite intelligent refrigeration equipment products

螺杆式风冷冷水机 SCREW STYLE AIR COOLED CHILLERS

PNS-F系列风冷螺杆冷水机组以空气为介质进行循环,对环境无任何污染,有利于环保,而且无须消耗水比较适合于缺水地区或对周边环境要求较高场所。由于采用风冷方式,无须冷却塔和冷却水泵,使系统更为简单。本机采用'W'形防腐铝翅片冷凝器,比普通机组更加节能高效。

PNS-F series air cooled screw style chiller with air as medium for circulation, no any pollution to the environment, environmentally friendly, and will not consume water, it's suitable for water shortage area or higher requirements on the surrounding environment. As adopts air cooled cooling way, no need cooling tower and cooling water pump, the cooling system more simple. Besides, adopts 'W' type anti corrosion aluminum fins condenser, more efficient energy-saving than common chiller unit.



LAIZHOU PINNO IMPORT AND EXPORT TRADE CO., LTD

风冷式螺杆机 AIR COOLED SCREW STYLE CHILLERS

项目 Item	型号 Model	PNS-40F	PNS-50F	PNS-60F	PNS-70F	PNS-80F	PNS-100F	PNS-120F	PNS-160F	PNS-180F	PNS-220F	PNS-240F	PNS-280F	PNS-320F	
电源 Power source		3ph-380V-50Hz													
制冷量 Cooling capacity	kcal/hr	87700	106600	127300	153100	178900	215900	265700	352600	394700	483300	521200	611500	700900	
输入功率 Input Power	kW	102	124	148	178	208	251	309	410	459	562	606	711	815	
运转电流(A) Current operation		84	95	101	131	147	177	206	258.0	284.0	404.0	412.0	474.0	516	
配线规格 (m²) Supply wiring		25	25	25	35	35	35	50	70	95	95	120	150	150	
容量控制 (%) Capacity Control		0%-25%-75%-100%四级调节或25%-100%无级调节													
压缩机 Compressor	型式 Model	半密闭螺杆式 Semi-hermetic Screw Type													
	数量 Quantity	1											1/2		
	启动方式 logon mode	Y-Δ/分接器 Y-Δ/Shunt Whding													
冷却器 Cooler	添加热器 (W) oil heater	200						300							
	种类 Species	B320SH													
制冷剂 Refrigerant	种类 Species	R-22													
	填充量 (kg) packed weight	30	38	42	50	59.0	70	82	110	120	160	175	197	240.0	
控制方式 Control mode	控制方式 Throttic mode	感温式外部均压膨胀阀 Temperature-sensitive and External Pressure-equalizing Expansion Valve													
	型式 Model	内螺纹壳管式高效换热器 Internal Thread High Efficiency Shell and Tube heat exchanger													
冷冻水系统 Water system	冻水流量 (m³/h) Flow of refrigerated water	14.2	14.2	18	18	24	24	36	46	56	78	101	116	134	
	水头损失 (kPa) pressure loss	43	43	43	45	45	48	50	52	52	52	51	54	54	
	水管接口 (PT) water pipe interface	2-1/2"	2-1/2"	3"	3"	4"	4"	4"	4"	5"	5"	5"	6"	6"	
冷冻风系统 Air system	型式 Model	内螺纹壳管式 External Thread shell and tube													
	冷却风量 (m³/h) Flow of cooling air	43200	43200	64800	64800	86400	108000	108000	129600	129600	151200	151200	172800	216000	
	风机功率 (kW) Fan Power	0.55*4	0.55*4	0.8*6	0.8*6	0.8*8	0.8*8	0.8*10	0.8*12	0.8*12	0.8*14	0.8*14	0.8*16	0.8*20	
保护装置 (PT) Protector		水泵连锁保护, 漏电保护, 过载保护, 电压超压, 欠压, 缺相, 逆相保护, 冷凝器高压保护, 冷凝器安全阀保护, 压缩机超温保护, 油压保护, 缺水保护等。 Water pump interlock protection, leakage protection, overload protection, over pressure protection, owe pressure, open phase, anti-phase protection, refrigerant abnormal protection, refrigerant over high the relief valve protection, compressor over temperature protection, hydraulic protection, water shortages protection, etc.													
外形尺寸 External size	L (mm)	2250	2250	2850	2850	3700	4700	4700	5600	5800	5800	6500	6500	7500	
	W (mm)	2150	2150	2150	2150	2150	2150	2150	2150	2150	2150	2150	2150	2150	
	H (mm)	2150	2150	2150	2150	2150	2150	2150	2150	2450	2450	2450	2450	2450	
	机组重量 (kg) Set Weight	1000	1100	1150	1230	1310	1700	2100	2200	3100	3900	4300	6050	6500	
运行重量 (kg) Running Weight	68	69	68	70	71	19	19	39	71	71	72	84	84		

注: 1. 额定制冷量是在如下工况下测得: 1)蒸发温度-2°C 2)冷凝温度45°C;污垢系数0.086M°C/W。
2. 为提高机组的能效比, 以上机组都带有经济器。
3. 机组可根据用户需求使用R404A冷媒, 选型时名义冷量×1.1, 功率×1.09。
4. 电源配线为国标铜芯线, 所有配线规格仅供参考。
5. 为了保证技术更新, 以上规格如有变更, 恕不另行通知。
6. 如有特殊要求, 订货前请提出要求之规格。

Remarks: 1. Rated Cooling Capacity is based on the following parameters:
1) evaporating temperature: -2°C; 2) condensing temperature 45°C; fouling coefficient 0.086M°C/W.
2. In order to improve energy efficiency ratio of the units, all the above units with economizer.
3. It can be used by R404A refrigerant according to user requirement. When selection, nominal cooling capacity multiplies 1.1 and power multiplies 1.09.
4. Power supply wiring is national standard copper core, all wiring specifications for reference only.
5. To guarantee constant improvement of technology the above parameters shall be changed without future notice.
6. In case of special requirements, please give us your specifications before ordering

创世界智能制冷设备精品

Create internaional exquisite intelligent refrigeration equipment products

磁悬浮变频离心式冷水机 MAGNETIC BEARING CHILLER

品诺磁悬浮变频系列冷水机连续经过几代产品技术升级与创新，并综合吸收国内外众多知名行业产品之优点，设计推出10大系列100多种规格的优质产品，每个工艺都严格按照国家相关标准进行生产，产品覆盖全球50多个国家和地区，满足国内外绝大多数行业的需求。

标准常温型： 设计工况：12℃~7℃ 工况范围：5℃~20℃ 制冷量：100RT~1400RT	中温双工况型： 设计工况：-5℃ 工况范围：-5℃~15℃ 制冷量：70RT~350RT	工业防腐常温型： 设计工况：18℃ 工况范围：7℃~25℃ 制冷量：100RT~1000RT	工业防腐中温型： 设计工况：-5℃ 工况范围：-5℃~15℃ 制冷量：70RT~350RT
---	--	--	---

适用于医药、化工、酿酒、化纤、皮革、橡塑等行业

Applied in medicine, chemical industry, wine making, chemical fiber, leather, rubber and plastic etc.



LAIZHOU PINNO IMPORT AND EXPORT TRADE CO., LTD

PN-CXXXXSH 系列磁悬浮变频离心式冷水机组 PN-CXXXXSH Series magnetic levitation frequency conversion centrifugal chiller

型号 Model		PN-C170SH	PN-C200SH	PN-C230SH	PN-C250SH	PN-C270SH
制冷量 Cooling Capacity	KW	598	703	809	879	950
	Kcal/h	514280	604580	695740	755940	817000
COP	KW/KW	6.59	6.60	6.62	6.65	6.68
输入电源 Input power		3P~380V/50HZ	3P~380V/50HZ	3P~380V/50HZ	3P~380V/50HZ	3P~380V/50HZ
	类型 Mold	变频磁悬浮离心式压缩机 Variable frequency magnetic levitation centrifugal compressor				
压缩机 Compressor	数量 Quantity	1台Set	1台Set	1台Set	1台Set	1台Set
	工况输入功率(KW) Maximum input power	90	106	122	132	143
	运行电流(A) Rated load current	180	212	245	265	286
	启动电流(A) Starting current	2~3	2~3	2~3	2~3	2~3
能量调节范围(%) Energy regulation range(%)		10~100%				
动力配线规格(mm ²) Power wiring specifications		YJV70	YJV70	YJV95	YJV95	YJV120
冷媒 refrigerant		R134a、R1234ze、R515B、R513A				
冷冻介质 Freezing medium		H ₂ O				
	类型 mold	高效外螺纹壳管式 High efficiency shell tube type with external thread				
冷凝器 Condenser	冷却水量(m ³ /h) cooling water flow	120	150	170	185	200
	水阻力(Kpa) water resistance	75	73	72	70	68
	冷却水温度(°C) coolant temperature	进水30℃, 出水35℃ inlet water is 30℃ outlet water is 35℃				
蒸发器 Evaporator	类型 mold	高效喷淋壳管式 High efficiency Spray cooled evaporator				
	冷冻水流量(m ³ /h) Chilled water flow rate	102	120	140	151	165
	水阻力(Kpa) water resistance	65	62	62	60	60
节流方式 throttle method		电子膨胀阀 Electronic expansion valve		法兰孔板节流 Flange orifice plate throttling		
安全保护 safety protection		供电异常综合保护, 逆相保护, 过载保护, 冷媒压力异常保护, 水泵连锁保护, 缺水保护, 温度过高保护等。 Power supply abnormal comprehensive protection, reverse phase protection, overload protection, refrigerant pressure abnormal protection, water pump chain protection, water shortage protection, high temperature protection, etc.				
法兰接口 termination flange	冷凝器进出口 Condenser inlet and outlet	DN150	DN200	DN200	DN200	DN200
	蒸发器进出口 Evaporator inlet and outlet	DN150	DN200	DN200	DN200	DN200
噪声(dB) noise(dB)		72	73	75	75	76
机组重量(kg) Unit weight(kg)		3900	4800	4900	5000	5300
外形尺寸 boundary dimension	L	3500	3800	3800	4000	4100
	W	1320	1550	1500	1500	1680
	H	1850	1950	2000	2000	2300

表中数据在如下工况测试获得: The data in the table was tested under the following conditions:

- 1、蒸发温度5℃, 蒸发器进水温度12℃, 蒸发器出水温度7℃;
- 2、制冷剂R134Aa;
- 3、冷凝器进水温度30℃, 出水温度35℃;
- 4、设计制造执行标准GB/T 18430.1。

创世界智能制冷设备精品

Create internaional exquisite intelligent refrigeration equipment products

工业车间空调降温系统

INDUSTRIAL AIR CONDITIONING COOLING SYSTEM

工业车间空调降温系统 (射流送风)

近几年来,随着国民经济和科技水平的快速发展,人们对改善自身工作环境的呼声愈来愈受到重视。工业车间射流送风空调降温系统,是指采用远程送风,为工业产品生产或工业工艺设备的可靠运行以及重点岗位的操作人员提供合适的环境温度、湿度、洁净度保障的空调设备。射流式送风降温系统的主要构成由螺杆冷水机组、冷冻循环泵、冷冻水输送管道、射流式空调箱组成。

射流式空调降温系统的主要特点:

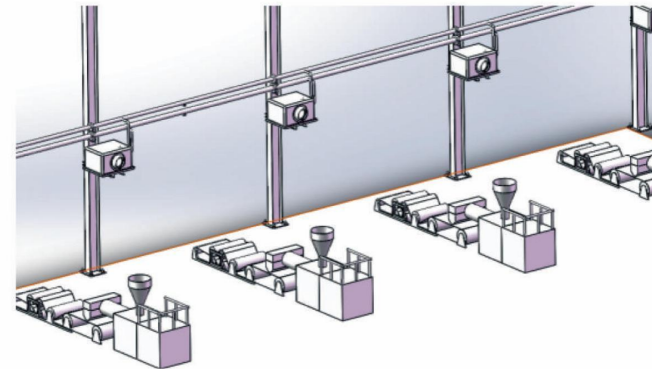
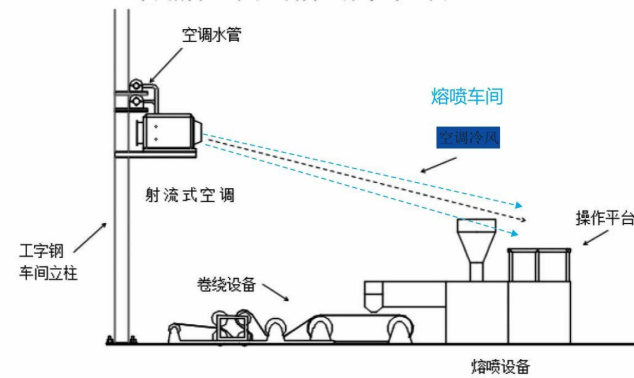
无需安装送风管,既能实现远距离送风,节省安装送风管的投资费用;送风温度宽 18C~28C可调节;送风覆盖角度可变化,可在 60 度的角度范围内任意调节送风方向,确保重点岗位或重点工艺享受到空调冷风;降温速度极快,开机后立即可感受到空调冷风,风量大小可通过变频器自行调节;可选择性的对车间内局部岗位或局部设备实现精准降温、送风,避免不必要的大范围降温带来的冷量浪费;安装方式多样,可以吊装、落地式安装、利用车间大梁、立柱支撑安装等。



LAIZHOU PINNO IMPORT AND EXPORT TRADE CO., LTD

DNKPLA

工业车间射流送风空调降温系统布置图



创世界智能制冷设备精品

Create internaional exquisite intelligent refrigeration equipment products

工业冷水机 (水冷) INDUSTRIAL CHILLERS(WATER COOLED)

工业冷水机箱式设计、全封闭箱体外壳、造型美观，可直接置于工作现场。
其特点是：即使在变化无常的室外温度，也能保持稳定运行，避免因环境灰尘而影响散热效果。
Industrial water cooled chillers are designed of case type, totally-enclosed case shell, and beautiful appearance. It can be placed directly on the working site, keep constant running even under changeable temperature outdoors and prevent dust from influencing heat elimination.

采用壳管式结构，运用最新 CAD/CAM设计加工技术，配合CNC加工中心制作完成，
采用世界最先进的欧洲原装进口压缩机加高效能热交换器。
可广泛应用于塑料业、电镀业、皮革业、印刷业、化工业、PU、制药业、制鞋业，电子行业还可按用户的特殊要求量身订做。
Adopt international most advanced screw compressor imported from Europe, high-efficiency heat exchanger. It is widely used in field of plastic, electroplating, leather, medicine, PU, chemical, shoes, printing, etc. Can do a kind of product according to customer's claim



LAIZHOU PINNO IMPORT AND EXPORT TRADE CO., LTD

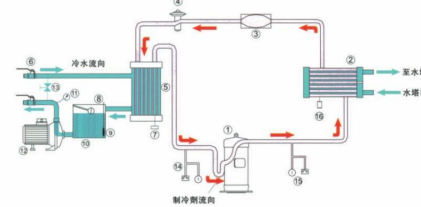
工业冷水机 (水冷) INDUSTRIAL CHILLERS(WATER COOLED)

型号 Models	PNL-6S	PNL-8S	PNL-10S	PNL-12S	PNL-15S	PNL-20S	PNL-25S	PNL-30S	PNL-40S	PNL-50S		
电源 Power source	3PH-380V/50HZ(3PH-220V/60HZ)											
制冷量 Cooling capacity	BTU/hr	52200	80400	103200	122280	155880	202920	254400	310080	404280	506160	
	kcal/hr	13154	20260	26006	30814	29281	51135	64108	78140	101878	127552	
	W	15287	23476	30260	35850	45705	59580	74725	90885	118520	148350	
输入总功率 Input power	KW	4.6	7.6	9.1	10.6	14.4	18.2	22	27.3	36.3	44.8	
压缩机 Compressor	形式 Model	全封闭涡旋式/活塞式 Hermetic Scroll/ Piston Type										
	输入功率 Input Power											
制冷剂 Refrigerant	种类 Species	R22/R404										
	控制方式 Throttle mode	毛细管/感温式外部均压膨胀阀 Capillary Tube/Temperature-sensitive and External Pressure-equalizing Expansion valve										
蒸发器 Evaporator	形式 Model	盘管/内螺纹壳管式高效换热器 Coil type/Internal thread high efficiency shell and tube heat exchanger										
	冻水水量 Flow of integrated water	m ³ /h	7	12	12	12	16	16	16	18	18	
	水管接口 Water pipe interface	PT	1.5"	1.5"	1.5"	2.0"	2.0"	2.0"	2.5"	2.5"	3.0"	3.0"
	水箱容量(L) Water storage		70	90	90	90	120	120	120	150	200	220
冷凝器 Condenser	形式 Model	外螺纹壳管式高效换热器 External Thread High Efficiency Shell and Tube heat exchanger										
	冷却水量 Flow of cooling water	m ³ /h	15	18	20	22	24	28	36	44	50	60
	水管接口 Water pipe interface	PT	1.5"	1.5"	1.5"	2.0"	2.0"	2.0"	2.5"	2.5"	3.0"	3.0"
	水箱容量(L) Water storage		70	90	90	90	120	120	120	150	200	220
保护装置 Protector	形式 Model	高低压保护、过载保护、逆相保护、压缩机超温保护、可熔栓保护、温度自动开关保护等 High and low pressure protection, overload protection, anti-phase protection, compressor over temperature protection, fusible plug protection, automatic temperature switch protection, etc.										
	水箱容量(L) Water storage		70	90	90	90	120	120	120	150	200	220
外形尺寸 Dimensions	L mm	1180	1250	1250	1500	1500	1750	2000	2400	2400	2400	
	W mm	650	750	750	800	800	850	1100	1100	1200	1200	
	H mm	1250	1250	1250	1250	1250	1550	1550	1550	1550	1550	
机组重量 Set Weight	kg	150	180	260	320	360	480	560	750	800	900	

注：1. 额定制冷量是在如下工况下测得：蒸发温度10℃；冷凝温度43.3℃。
2. 为了保证技术更新，以上规格如有变更，恕不另行通知。
3. 如有特殊要求，订货前请提出要求之规格。

Remarks: 1. Rated Cooling Capacity is based on the following parameters: evaporating temperature: 10℃; condensing temperature 43.3℃;
2. To guarantee constant improvement of technology, the above parameters shall be changed without future notice.
3. In case of special requirements, please give us your specifications before ordering.

水冷式冷水机工作原理图 The functional diagram of Water Chiller



- ① 压缩机
- ② 冷凝器
- ③ 干燥过滤器
- ④ 膨胀阀
- ⑤ 蒸发器
- ⑥ 球阀
- ⑦ 防冻开关
- ⑧ 浮球开关
- ⑨ 温度感应器
- ⑩ 水箱
- ⑪ 泵浦压力表
- ⑫ 泵浦
- ⑬ 旁通阀
- ⑭ 低压控制器
- ⑮ 高压控制器
- ⑯ 泄压阀

创世界智能制冷设备精品

Create internaional exquisite intelligent refrigeration equipment products

工业冷水机 (风冷)

INDUSTRIAL CHILLERS(AIR COOLED)

PNL-xxF系列工业冷水机安装方便, 无需配置冷却塔, 备有各种规格, 制冷范围由7250大卡至245000大卡(3HP-100HP), 机组配置多种安全保护, 能保证机器正常运行。
PNL-xxF Series Industrial Water Cooling Machine can be installed easily and it is unnecessary to be used with cooling tower. There are various specifications of machines available and cooling range varies from 7250 to 245000 kilocalorie(3HP-100HP). The unit is designed with multiple safety protections to ensure safe operation.

风冷式设计采用名牌压缩机及电控元件加工制造, 机组配置漏电保护、过载保护、超压、逆相保护、冷媒异常保护, 压缩机超温保护, 组合完美。风冷式热交换器防腐翅片, 制造是采用二次翻边翅片机涨管工艺, 无需另加装冷却水泵及水塔, 运行可靠, 清洗方便, 冷量强劲, 噪声低, 寿命长, 操作简单方便。还可按用户的特殊要求量身订做。
Air cooling chiller adopts international famous-brand compressor, have electricity leakage protection, overload protection, Over pressure protection, refrigerant abnormality protection, compressor overheat protection combination perfect. Corrosion resistant fin in air cooling style heat exchanger, manufactured with technics of quadratic flanging fin machine. Don't need another pump and water tower, the machine have the features such as reliable in running, clean easily, strong cooling capacity, low noise, long service life and easy to operate. Can do a kind of product according to customer's claim



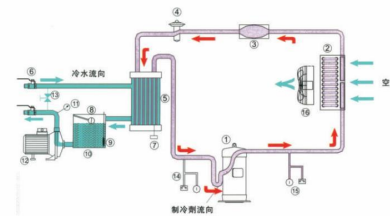
LAIZHOU PINNO IMPORT AND EXPORT TRADE CO., LTD

工业冷水机 (风冷) INDUSTRIAL CHILLERS(AIR COOLED)

型号 Models	PNL-03F	PNL-05F	PNL-08F	PNL-10F	PNL-12F	PNL-15F	PNL-20F	PNL-25F	PNL-30F	PNL-40F	PNL-50F	
电源 Power source	3PH/380V/50Hz											
制冷量 Cooling capacity	BTU/hr	28768	48806.4	76384	99200	120630	152768	193638.4	248000	289664	382912	486080
	kcal/hr	7250	12300	19250	25000	30400	38500	48800	62500	73000	96500	122500
输入总功率 Input power	W	8420	14285	22358	29036	35305	44715	56678	72590	84785	112078	142276
	kW	2.8	4.3	6.8	8.4	10.2	13.6	16.8	21.5	25	32.9	42.5
压缩机 Compressor	全封闭涡旋式/活塞式 Hermetic Scroll/ Piston Type											
制冷剂 Refrigerant	R22/R404C											
控制方式 Throttle mode	毛细管/感温式外部均压膨胀阀 Capillary Tubes/ Temperature-sensitive and External Pressure-equalizing Expansion Valve											
蒸发器 Evaporator	盘管/内螺纹壳管式高效换热器 Coil Type/Internal High Efficiency Shell and Tube heat exchanger											
冷冻水量 Flow of refrigerated water	m ³ /h	7	12	12	16	16	18	20	20	30	30	
	水管接口 water pipe interface	PT	1"	1.5"	1.5"	1.5"	2.0"	2.0"	2.0"	2.5"	2.5"	3.0"
冷凝器 Condenser	高效紫铜管套铝翅片式+低噪音外转子轴流风机 High Efficient Red Copper Tube Covered Into Aluminium Fins+ Low Noise Outer-rotor Axial Fan											
冷却风量 Cooling air amount	m ³ /h	3500	7000	7300	9000	9500	15600	16500	20500	22500	31000	40000
	风机功率 Fan Power	kW	0.2 x 1	0.2 x 1	0.2 x 2	0.25 x 2	0.62 x 2	1.1 x 2	0.82 x 3	0.82 x 3	1.1 x 3	0.82 x 6
水箱容量(L) Cistern storage		64	80	90	90	90	230	250	270	270	300	300
保护装置 Protector	高低压保护、过载保护、逆相保护、压缩机超温保护、可熔栓保护、温度自动开关保护等 High and low pressure protection, overload protection, anti-phase protection, compressor over temperature protection, fusible plug protection, automatic temperature switch protection, etc.											
外型尺寸 External Dimension	L	mm	980	1250	1300	1750	1750	1750	2200	2700	2800	2700
	W	mm	680	750	850	850	950	950	1100	1000	1050	1140
	H	mm	1200	1330	1480	1480	1580	1600	1700	1680	1750	2000
机组重量 Set Weight	kg	175	253	310	340	396	420	560	600	820	880	940

注: 1. 额定制冷量是在如下工况下测得: 蒸发温度10°C; 冷凝温度54.4°C。 Remarks: 1. Rated Cooling Capacity is based on the following parameters: evaporating temperature: 10°C; condensing temperature 54.4°C;
2. 为了保证技术更新, 以上规格如有变更, 恕不另行通知。 2. To guarantee constant improvement of technology, the above parameters shall be changed without future notice.
3. 如有特殊要求, 订货前请提出要求之规格。 3. In case of special requirements, please give us your specifications before ordering.

风冷式冷水机工作原理图 The functional diagram of Air Chiller



- ① 压缩机
- ② 冷凝器
- ③ 干燥过滤器
- ④ 膨胀阀
- ⑤ 蒸发器
- ⑥ 球阀
- ⑦ 防冻开关
- ⑧ 温度感应器
- ⑩ 水箱
- ⑪ 泵浦压力表
- ⑫ 泵浦
- ⑬ 旁通阀
- ⑭ 低压控制器
- ⑮ 高压控制器
- ⑯ 风扇

创世界智能制冷设备精品

Create internaional exquisite intelligent refrigeration equipment products

工业油冷却专用冷水机 INDUSTRIAL OIL COOLING CHILLER

温度现象

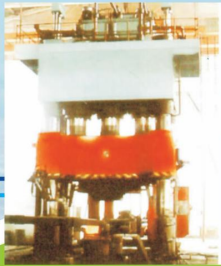
温度决定产品质量：稳定的加工温度，是产品获得高精度的保障。
温度决定设备寿命：稳定的使用温度，是设备平稳运行的前提。

应用范畴

液压设备——防止油温过高漏油，影响压力输出，速度减慢；
激光加工——防止温度偏移，影响功率输出的稳定性，从而影响加工精度；
机床切削——防止工件受温度影响产生伸缩，影响加工精度，同时提高刀具寿命
润滑设备——防止润滑油温度过高，油质劣化，影响润滑效果；
高速主轴——帮助主轴组件散热，防止主轴中心偏移；
电源设备——防止电气元器件温度过高，影响正常使用。

性能特点

冷却方式——风冷式制冷冷却多种冷却产品。
冷却范围——适合从+15℃~55℃各种温度要求的冷却。
冷却特点——不需要冷却水。
冷却精度——满足最高达±0.5℃以上的精度要求。
动态响应——可在最短时间内适应用户的温度稳定要求。
控制方式——温度固定型/室温同调型，微电脑控制。
部件来源——主要部件采用进口组件，性能好，可靠性高。
安全性——提供无源触点(常闭)报警输出及远程控制。



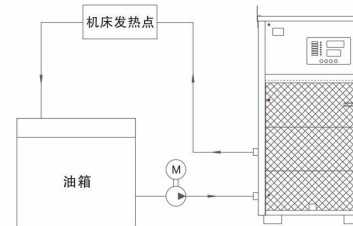
LAIZHOU PINNO IMPORT AND EXPORT TRADE CO., LTD

技术参数 Technical Parameter

规格系列	制冷能力		输入功率 (KW)		接管形式	接口尺寸	外配管内径 (mm)
	Kcal/h	无油泵	含油泵				
PNY45	4500	1.9	2.7	管式内螺纹	G ^{3/4} "X ^{3/4} "	DN20	
PNY60	6000	3.0	4.0	管式内螺纹	G1"X1"	DN25	
PNY80	8000	3.5	5.0	管式内螺纹	G1"X1"	DN25	
PNY120	12000	4.5	6.0	管式内螺纹	G1"X1"	DN25	
PNY150	15000	6.0	8.5	管式内螺纹	G1 1/4"X1 1/4"	DN32	
PNY180	20000	7.0	9.5	管式内螺纹	G1 1/4"X1 1/4"	DN32	
PNY240	25000	10.0	13.0	管式内螺纹	G1 1/2"X1 1/2"	DN40	
PNY300	30000	12.0	15.0	管式内螺纹	G2"XG2"	DN50	
PNY350	35000	13.5	17.5	管式内螺纹	G2"XG2"	DN50	
PNY400	40000	15.0	19.0	法兰	DN65X65	DN65	
PNY500	50000	19.0	24.5	法兰	DN80X80	DN80	
PNY600	60000	23.0	28.5	法兰	DN80X80	DN80	
PNY800	80000	30.0	37.5	法兰	DN100X100	DN100	
PNY1000	100000	43.0	54.0	法兰	DN125X125	DN125	
PNY1200	120000	49.0	60.0	法兰	DN125X125	DN125	

应用示例图 Application examples

液压油冷却 润滑油冷却 激光加工设备
电加工设备 线切割设备 特殊用途



备注 Notes

- 1、制冷能力是指环境温度35℃，进口油温40℃，使用32#液压油条件下的制冷量；
- 2、制冷量随环境温度、进油温度、油粘度及油泵流量的变化而变化；
- 3、本系列机组有：温度固定A型和室温同调B型两种机型，谨供选择；
- 4、本系列机组有冷热两用功能的R机型可供选择；
- 5、本产品内部不含滤油器，请在安装使用时在进油口处配置100目滤油器，不建议在出口处加装滤油器；
- 6、进油口真空油压请维持在0.05MPa以下，出口配管阻力请维持在0.3MPa以下；
- 7、本装置禁止使用水及水溶性液体、易燃性液体、腐蚀性液体；
- 8、本公司产品不断改进，具体结构尺寸与以上参数可能有所区别；
- 9、常数表内为常见的规格型号，本公司可接受客户特殊订货。

电镀槽冷却专用冷水机 PLATING BATH COOLING CHILLERS

电镀冷水机用直接冷却方式，采用直接冷却方式槽内无冷却管避免阴阳极接触，大大提高制冷效率，无须空气搅泵，降低运行成本，运行可靠，环境适应性强，维护方便。电镀冷水机适用于镀锌、镀锡、阳极氧化、硬质氧化、镀铜、镀铬，是电镀行业上不可缺少的伴侣。

Plating Chillers, adopt direct cooling mode, no need and cooling tube in the tank to avoid the contact of cathode and anode, and it also no need air mixing pump, lessen the heat source, in this case it can improve the refrigerate efficiency greatly and reduced the running cost, Reliable operation, environmental adaptability, and easy maintenance. Plating Chillers for surface treatment like Hard Oxidation Chiller, Anodic Oxidation Chiller, Zinc-Plating Chiller, Tin-Plating Chiller and etc. Is on Plating industry An indispensable partner.



LAIZHOU PINNO IMPORT AND EXPORT TRADE CO., LTD



铝型材氧化专用冷水机(双机) ALUMINUM OXIDE DEDICATED CHILLER

铝氧化专用冷水机用直接冷却方式，采用直接冷却方式槽内无冷却管避免阴阳极接触，大大提高制冷效率，无须空气搅泵，降低运行成本，运行可靠，环境适应性强，维护方便。铝氧化专用冷水机适用于镀锌、镀锡、阳极氧化、硬质氧化、铝氧化、镀铜、镀铬，是电镀行业上不可缺少的伴侣。

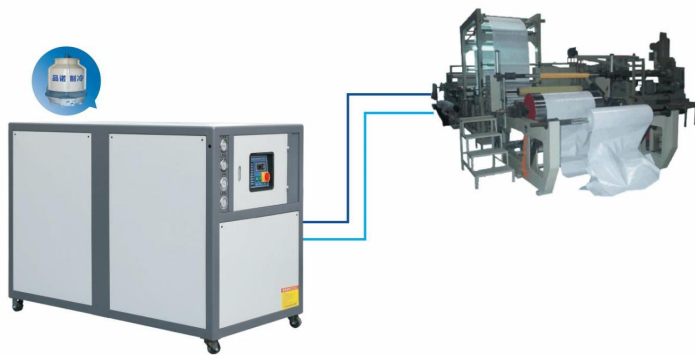
Aluminum oxide chiller, adopt direct cooling mode, no need and cooling tube in the tank to avoid the contact of cathode and anode, and it also no need air mixing pump, lessen the heat source, in this case it can improve the refrigerate efficiency greatly and reduced the running cost, Reliable operation, environmental adaptability, and easy maintenance. Aluminum oxide chiller for surface treatment like Hard Oxidation Chiller, Anodic Oxidation Chiller, Aluminum Oxide Chiller, Zinc-Plating Chiller, Tin-Plating Chiller and etc. Is on Plating industry An indispensable partner.



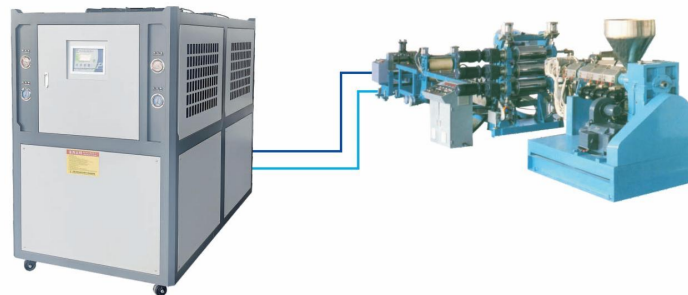
电泳专用冷水机 ELECTROPHORESIS DEDICATED CHILLER



淋膜机专用冷水机 EXTRUSION COATING CHILLERS



挤出机专用冷水机 EXTRUDER CHILLERS



吹瓶机专用冷水机 BLOWER CHILLERS

吹瓶机专用冷水机适用于塑料、塑机，橡胶等行业。尤其是在塑料行业中，采用冷水机能准确控制各种塑料加工的模温，缩短啤塑周期，加速定型，减少产品的缩水变形，增加透明度，光洁度，大大提高质量和产量。冷水机已成为精密塑胶成型工艺流程不可缺少的附属设备。

Blower Chillers are applicable to plastics, plastics machine, Rubber etc. Profession. Is in the plastics profession particularly, adopt chillers' function accurate to control various temperature that the plastics processes Shorten period, acceleration already set, decrease's shrinkage of the product transforms, increasing clarity, Brightness, Raise product quality and Increase yield, chillers have become the subsidiary equipments that the plastics models the indispensability of the craft process.



吹膜机专用冷风机 BLOWN FILM MACHINE



皮革机械专用冷水机 LEATHER CHILLERS

皮革冷水机主要用于压花机械，有效控制压花辊的温度，延长机械使用寿命，使皮革可以快速冷却，皮面光泽，增加产量。

Leather chillers are mainly used for Press a flower machine, The valid control presses the temperature of flower stalk, prolonging machine service life, make the leather be able to cool off quickly, Superficial smooth, increment yield.



化工设备专用冷水机 CHEMICAL

化工专用冷水机主要用于反应釜冷却，并广泛用于橡胶、医药、化工、染料，合成树脂等产业的附属设备。

Chemical chillers are mainly used for reaction kettle cooling, and used for rubber, Medicine, chemical engineering, dyestuff, synthetic resin etc. The subsidiary equipments of the industry.



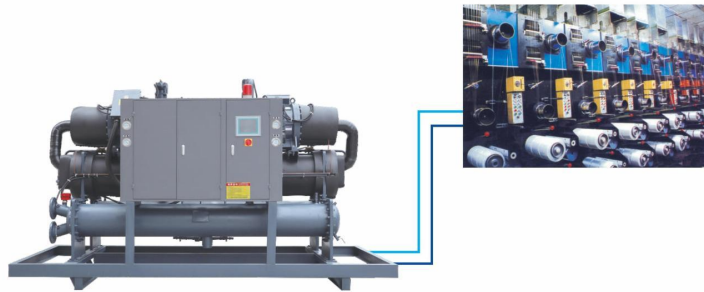
注塑专用冷水机 INJECTION CHILLERS



吸塑专用冷水机 PLASTIC FORMING CHILLERS



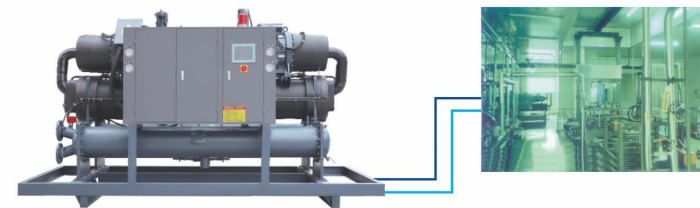
化纤专用冷水机 CHEMICAL FIBER CHILLER



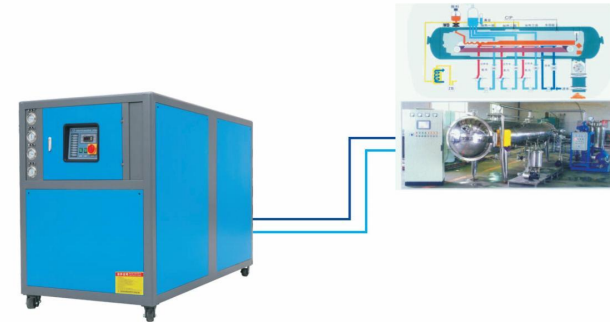
发酵设备专用冷水机 FERMENTATION EQUIPMENT CHILLER



大型超临界萃取装置专用冷水机 LARGE SUPERCRITICAL EXTRACTION DEVICE REFRIGERATION EQUIPMENT



全自动真空低温连续干燥机专用冷水机 AUTOMATIC VACUUM DRYING TEMPERATURE OF COLD MECHANISM



菌菇环境温度控制系统

THE FUNGUS MUSHROOM ENVIRONMENT TEMPERATURE CONTROL SYSTEM

整机功能:

- 1、宽范围精准调控出风温度最小精确到0.1℃;
- 2、比例调节新风, 精准调控菇房内CO2浓度, 补给新风中效净化和预冷功能;
- 3、湿度检测控制, 提供菇房光照控制信号;
- 4、回风净化和菇房空气微循环, 均匀送风, 创造菇房各处均衡生产环境。

优点:

- 1、无须人工调节, 全自动恒温运行, 温控装的精确控温箱体式结构, 外形美观, 安装快捷, 连接制冷管路即可使用。
- 2、本公司经多年的菌菇房实用经验和工程技术人员的不懈努力, 开发出一套满足食用菌工厂化种植过程中所需的不同温度, 不同湿度, 及新风过滤排风等全套工程设计, 来提高你的产量需求。`

Machine feature:

- 1、Wide range and precise control leaving air temp make the minimum accurate to be 0.1 degree.
- 2、Proportional control new air input the room,it can precise control the concentration of CO2 in the mushroom room. It has the faction of supply new air,middle effect of purification and precooling.
- 3、Humidity testing and control provide mushroom room illumination control signal.
- 4、Return air purification and mushroom room air circulation.The uniformity of air supply all of these make a equilibrium production environment in the mushroom.

Advantages:

- 1、Run without manual adjustment, automatic constant temperature, temperature control precision temperature control.
- 2、Box type structure, beautiful appearance, easy installation, connection refrigeration pipe can be used.Our company after years of fungus mushroom house practical experience and engineering technical personnel's unremitting efforts ,has developed a set of meet the required in the process of edible fungi factory plant in different temperature, different humidity, and air filter a full set of engineering design,to improve your production needs.



冷库

MOBILE FREEZER

板与板为凹凸型, 并用钢制偏心拉力锁, 板与板之间拉紧和锁紧, 使用六角匙可方便拆装。

All panels are made with tongue and groove edges and are locked together with cam lock fasteners, which can be unscrewed easily with a hex wrench.

组合式标准冷库是一种不同大小标准的冷库新商品,其容量可以根据每个用户的需求选择或定制。

贮藏温度是由数字温度控制器显示控制的,有利于可靠的贮藏,

可供用户任意选择以得到最大程度的效率和利益。

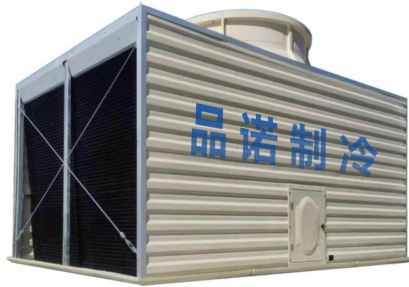
Modular cold room is a new product with various standard sizes.

Its storage capacity may be specified or selected according to the requirements of the customer.

The storage temperature is displayed and controlled by the digital thermostat with which reliable storage is provided, and the precise control and adjustment of temperature enables the customer to achieve the utmost efficiency and benefits.



冷却塔 COOLING TOWER



技术参数 Technical Parameter

Parameter 参数 型号 Models	流量 Flow(m³/h)	风机直径 Fan diameter (mm)	理论风量 Theoretical air quantity (m³/h)	电机功率 Motor power (KW)	电机额定 电流 Motor Rating current (A)	外型尺寸 overall size(mm)		标准型 Standard type				低噪型 Low-noise type	
						塔高 Tower height H	最大外径Max. Outer diameter Dmax	重量 Weight(kg)		重量 Weight(kg)			
								净重 Net Weight	运行重 Running Weight	净重 Net Weight	运行重 Running Weight		
PN-6T	6	584	3400	0.25	1.0	1420	940	54	140	61	148		
PN-8T	8	584	4500	0.25	1.0	1660	940	57	141	64	156		
PN-10T	10	584	5700	0.25	1.0	1700	1040	76	200	85	221		
PN-12T	12	584	6800	0.25	1.0	1780	1100	84	219	94	241		
PN-15T	15	760	9100	0.37	1.4	1860	1250	110	265	124	295		
PN-20T	20	760	11300	0.55	2.0	1920	1400	140	300	158	334		
PN-25T	25	884	15000	0.55	2.6	1970	1400	160	364	174	404		
PN-30T	30	884	17000	1.11	2.6	2150	1700	165	369	185	410		
PN-40T	40	884	13000	1.1	3.6	2280	1900	191	433	215	481		
PN-50T	50	1190	18000	1.5	4.4	2400	2200	368	730	412	810		
PN-60T	60	1190	33000	1.5	5.2	2530	2200	423	753	476	839		
PN-70T	70	1470	40000	1.5	5.2	2580	2350	521	913	584	1015		
PN-80T	80	1470	15000	2.2	7.7	2710	2500	607	1023	680	1137		
PN-90T	90	1470	50000	2.2	7.7	2820	2900	695	1130	776	1255		
PN-100T	100	1800	57000	4	8.8	3130	3300	908	1588	954	1625		
PN-125T	125	1800	70000	4	8.8	3350	3300	1015	2035	1062	2112		
PN-150T	150	1800	85000	4	8.8	3670	3600	1310	3640	1468	2857		
PN-175T	175	1800	99000	4	8.8	3900	4000	1613	3317	1797	3671		
PN-200T	200	1800	113000	5.5	12.6	4165	4500	1796	3465	1987	3866		

配件 ACCESSORIES



德国谷轮涡旋压缩机
Germany Compressor



台湾汉申螺杆压缩机
Taiwan HANBELL screw compressor



三洋涡旋式压缩机
Sanyo scroll compressor



美国康泰压缩机
U.S.A Compressor



科宝利磁力泵
KBL Magnetic pump



台湾巨龙水泵
Taiwan pump



壳管螺旋式高效蒸发器
Shell and tube screw efficient evaporator



板式蒸发器
Plate type evaporator



丹麦丹佛膨胀阀
Electronic Expansion Valve



电子膨胀阀
Electronic Expansion Valve